



# PALI CAMPION srl

Via A. De Gasperi, 45 • 45025 Fratta Polesine (RO) • Italy  
tel + 39 0425 668686 • fax +39 0425 668688  
www.palicampion.it • mail@palicampion.it • pec@pec.palicampion.it



[www.palicampion.it](http://www.palicampion.it) – use, assembling and maintenance istrucions for climbing ladder . rev130616 – Pag. 1 di 9

## USE, ASSEMBLING AND MAINTENANCE INSTRUCTIONS FOR CLIMBING LADDER

**IMPORTANT:** This documents concerns installation, use and maintenance activiies for climbing ladders. **IN ADDITION TO THESE INSTRUCTION YOU ALWAYS NEED TO REFER TO THE WORKSHOP DRAWINGS GIVE AT ORDER STEP WHICH MAY CONTAIN FURTHER INFORMATION REFERRED TO PARTICULAR CASES**



Before starting the assembling of the ladder You have to assemble properly up to refusal, the sections of the mast in order to avoid deformation of the ladder itself ( see figure beside).

The way of overlapping the polygonal section are listed in the *“instructions for overlapping polygonal sections”*

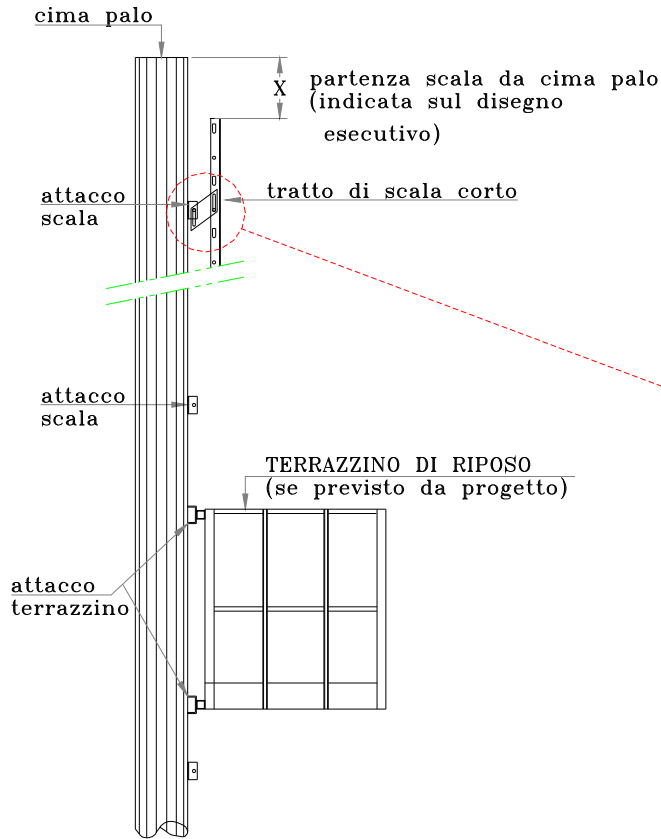
Climbing ladder may be:

- Ladder with safety ring
- Ladder with "T" rail and safety device
- Ladder with safety cable

### **LADDER WITH SAFETY RING**

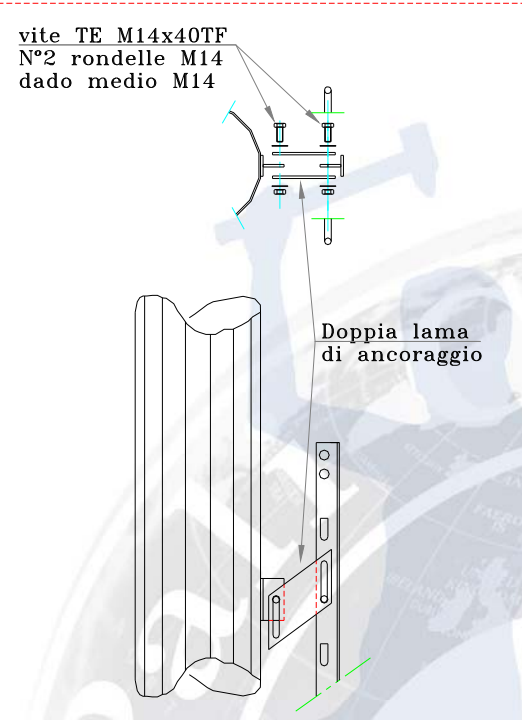
**IMPORTANT:** Before installing the ladder along the shaft You have to install the resgin plate ( if required from the design) .

Put the shortest element of the ladder in the upper part of the mast at the distance “X” mentioned in the workshop drawing. Fix the ladder to the purpose made support welded on the mast by means of double anchor devices and two screws M14x40 with double washer and middle nut M14 (included in the supply) as indicated in the drawing below.

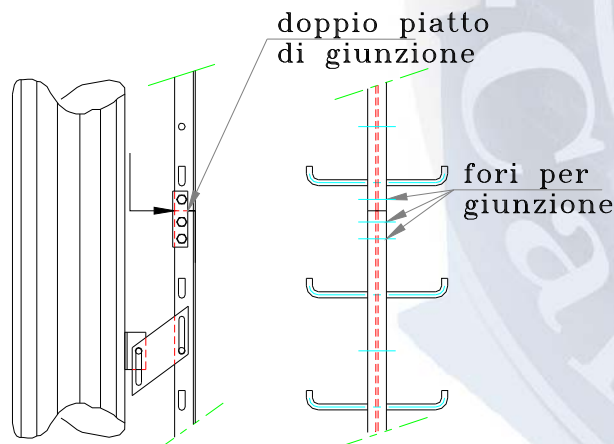


OCCORRENTE PER SCALA DI RISALITA:  
 (tabella contenuta sul disegno esecutivo)

	per 1 torre	per N. torri
T50x6 SCALA L. xxxx	Pz. _	
T50x6 SCALA L. yyyy	Pz. _	
PIATTO DI GIUNZIONE	Pz. _	
PARAPETTI VERTICALI L. xxxx	Pz. _	
PARAPETTI VERTICALI L. yyyy	Pz. _	
PARAPETTI VERTICALI L. zzzz	Pz. _	
ANELLI GUARDICORPO	Pz. _	
LAME DI ANCORAGGIO	Pz. _	
TERRAZZINO	Pz. _	



Proceed with the installation of the other section of ladder along the shaft in the same way as above mentioned. Different sections of ladder will be joined (so that they will form only one piece) using two flat irons and three screws M14x40 with middle nut M14.





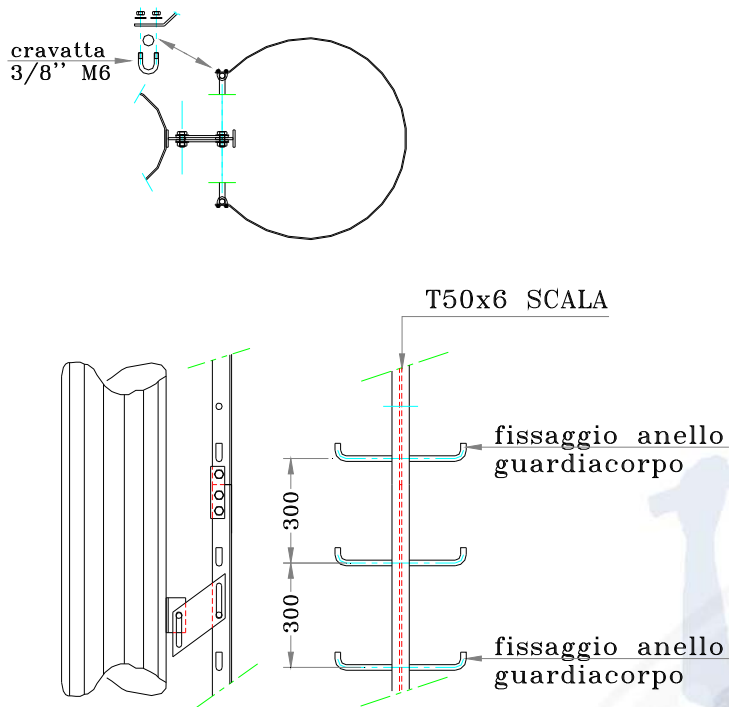
# PALI CAMPION srl

Via A. De Gasperi, 45 • 45025 Fratta Polesine (RO) • Italy  
tel + 39 0425 668686 • fax +39 0425 668688  
www.palicampion.it • mail@palicampion.it • pec@pec.palicampion.it

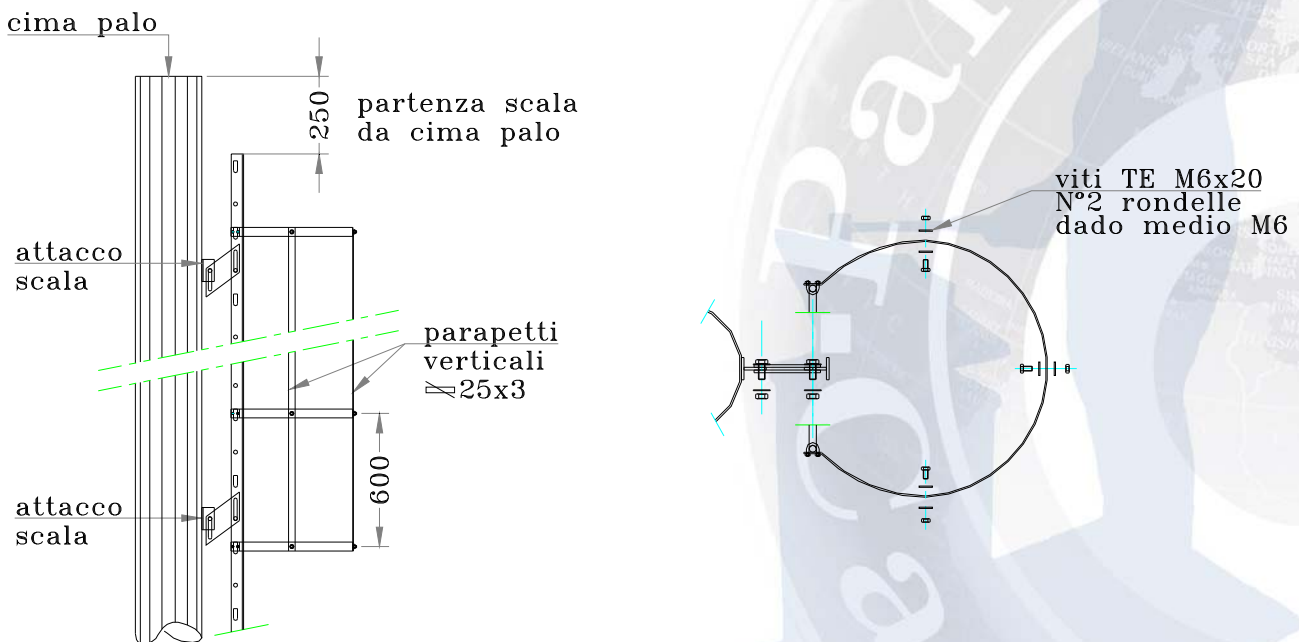


[www.palicampion.it](http://www.palicampion.it) – use, assembling and maintenance istrucions for climbing ladder . rev130616 – Pag. 3 di 9

Finally proceed to install the safety rings and the vertical parapets; Safety ring will be installed at a distance of 600 mm each other on the rungs of the ladder using the purpose made U bolts M6 included in the supply, starting from the first rung on top of the ladder (please refer to the workshop drawing).



Finally fix the vertical parapets and the safety rings using the bolts and nuts included in the supply (screw Mx20 with double washer and middle nut for M6).





# PALI CAMPION srl

Via A. De Gasperi, 45 • 45025 Fratta Polesine (RO) • Italy  
tel + 39 0425 668686 • fax +39 0425 668688  
www.palicampion.it • mail@palicampion.it • pec@pec.palicampion.it

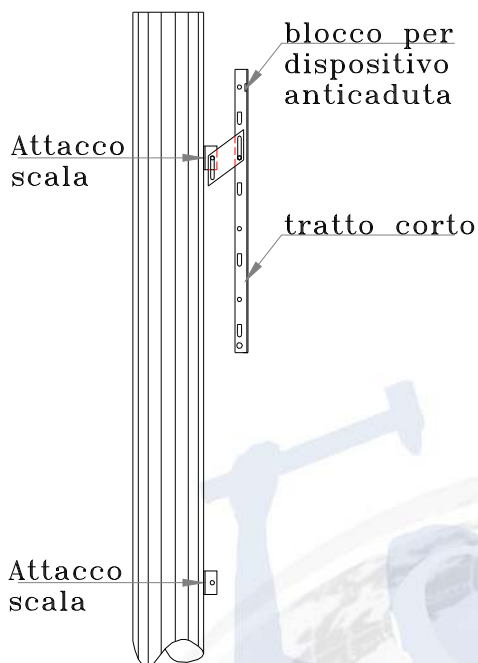


[www.palicampion.it](http://www.palicampion.it) – use, assembling and maintenance instructions for climbing ladder . rev130616 – Pag. 4 di 9

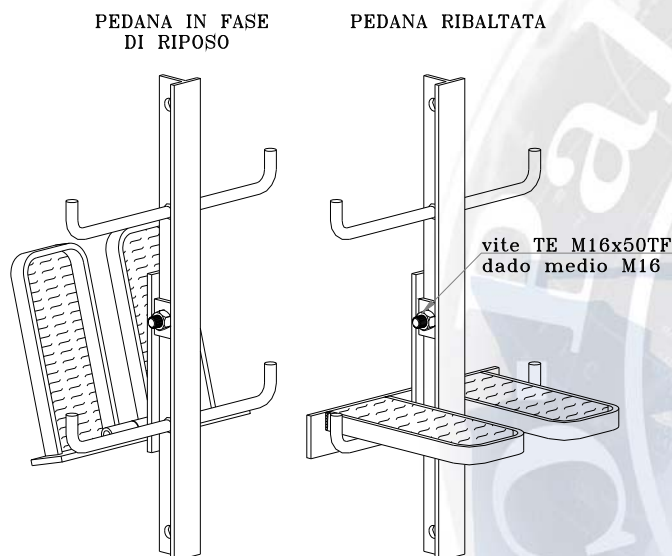
## LADDER WITH “T” RAIL AND SAFETY DEVICE

The way of installing the sections of the ladder along the shaft are similar to those mentioned for the ladder with safety rings (to which we make reference).

**NOTE:** You need to pay attention that the different section of the ladder are not inverted, since, if the ladder doesn't finish into a platform, the shortest section ( which must be always first) presents an enlargement that prevents the safety device to slip out.



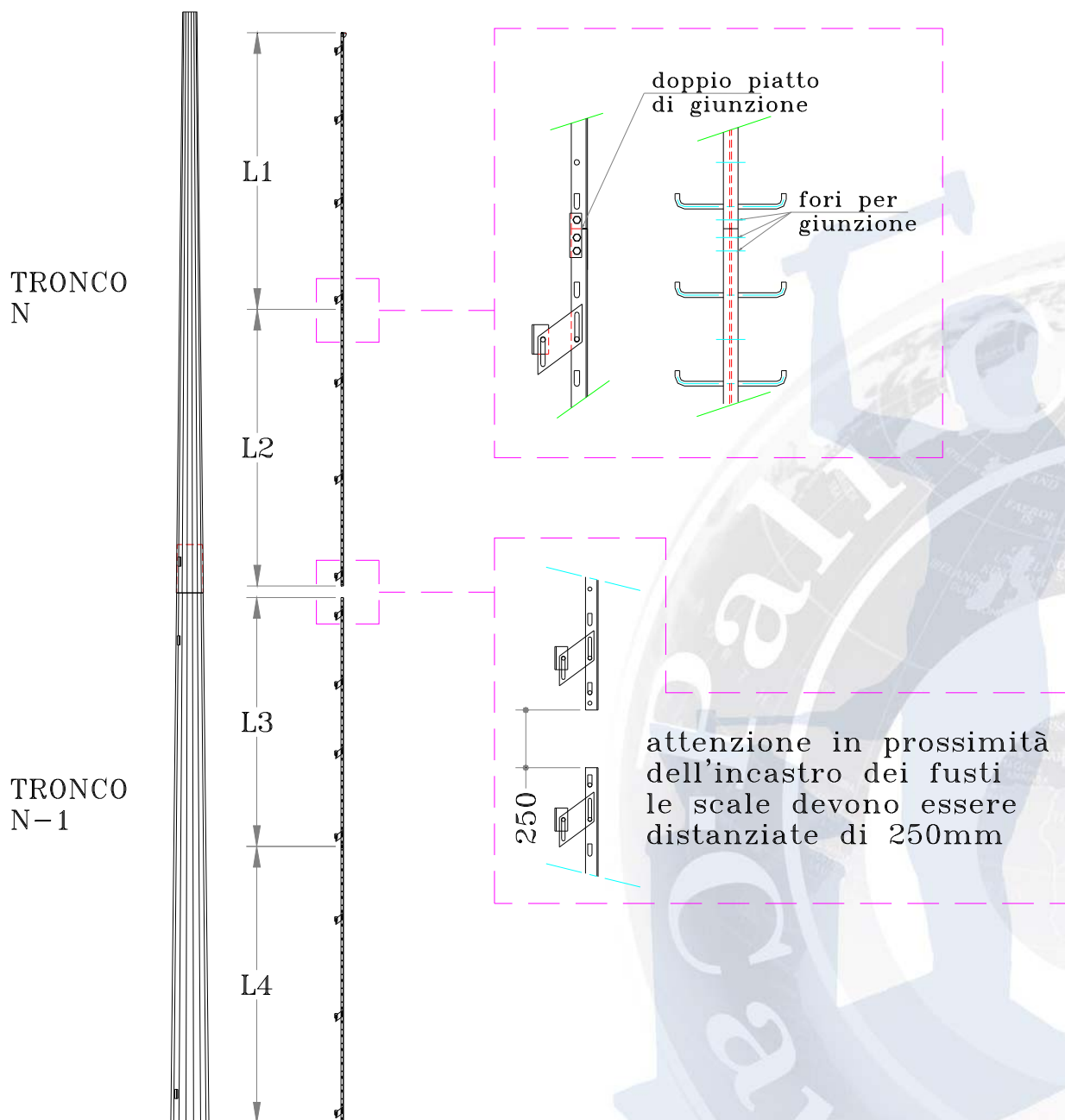
Install the resting footboards at the height mentioned in the workshop drawing:



## CLIMBING LADDER WITH SAFETY CABLE

The way of installing the sections of the ladder along the shaft are similar to those mentioned for the ladder with safety rings (to which we make reference).

**NOTE:** When You install the different sections of ladder You have to respect the indication mentioned in the workshop drawing. Ladders must be interrupted for a distance of 250 mm nearby the overlapping of the mast sections and they must be joined between them with flat iron along the different section of the mast.





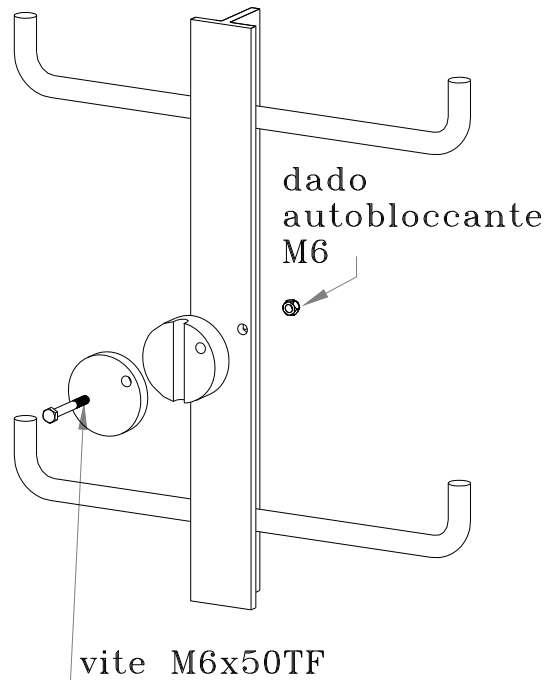
# PALI CAMPION srl

Via A. De Gasperi, 45 • 45025 Fratta Polesine (RO) • Italy  
tel + 39 0425 668686 • fax +39 0425 668688  
www.palicampion.it • mail@palicampion.it • pec@pec.palicampion.it

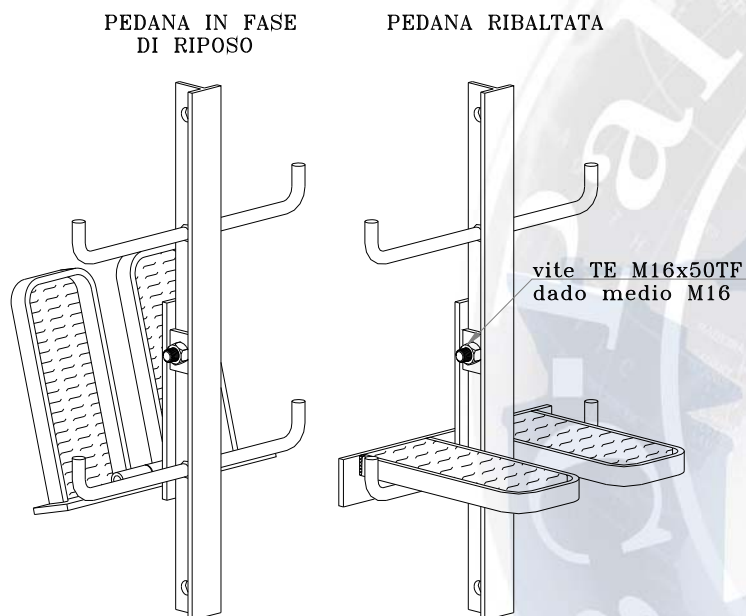


[www.palicampion.it](http://www.palicampion.it) – use, assembling and maintenance instructions for climbing ladder . rev130616 – Pag. 6 di 9

Install the cable lock devices at the height mentioned in the drawing:



Install resting footboards at the height mentioned in the workshop drawing:





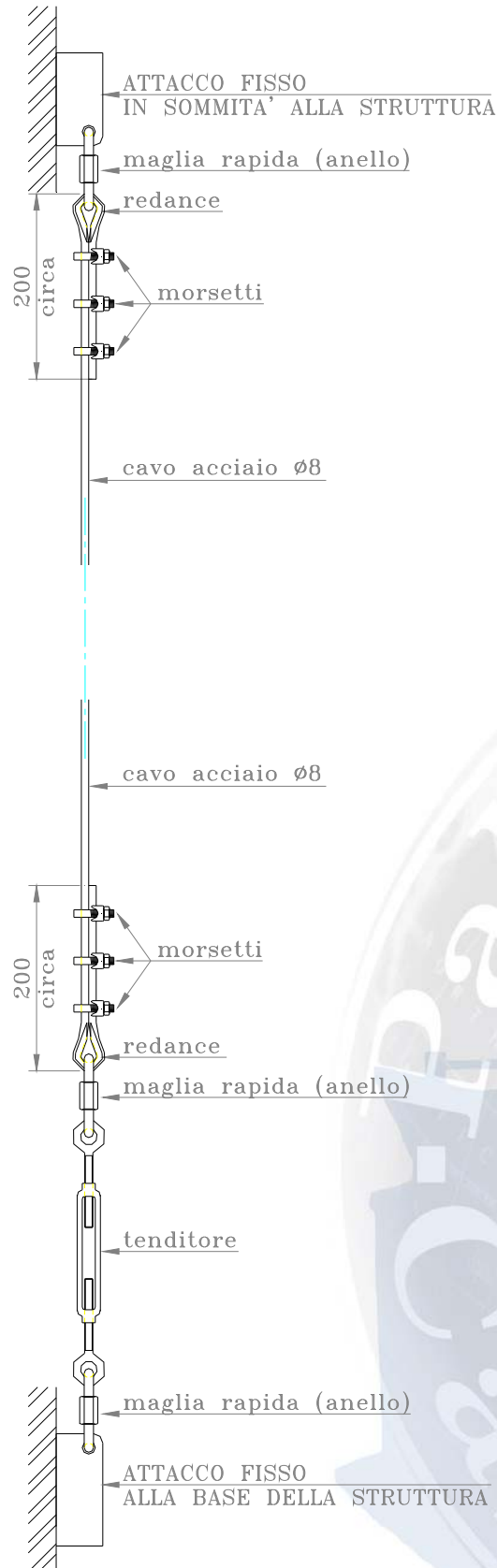
# PALI CAMPION srl

Via A. De Gasperi, 45 • 45025 Fratta Polesine (RO) • Italy  
tel + 39 0425 668686 • fax +39 0425 668688  
www.palicampion.it • mail@palicampion.it • pec@pec.palicampion.it



[www.palicampion.it](http://www.palicampion.it) – use, assembling and maintenance istruzioni for climbing ladder . rev130616 – Pag. 7 di 9

Install safety cable:





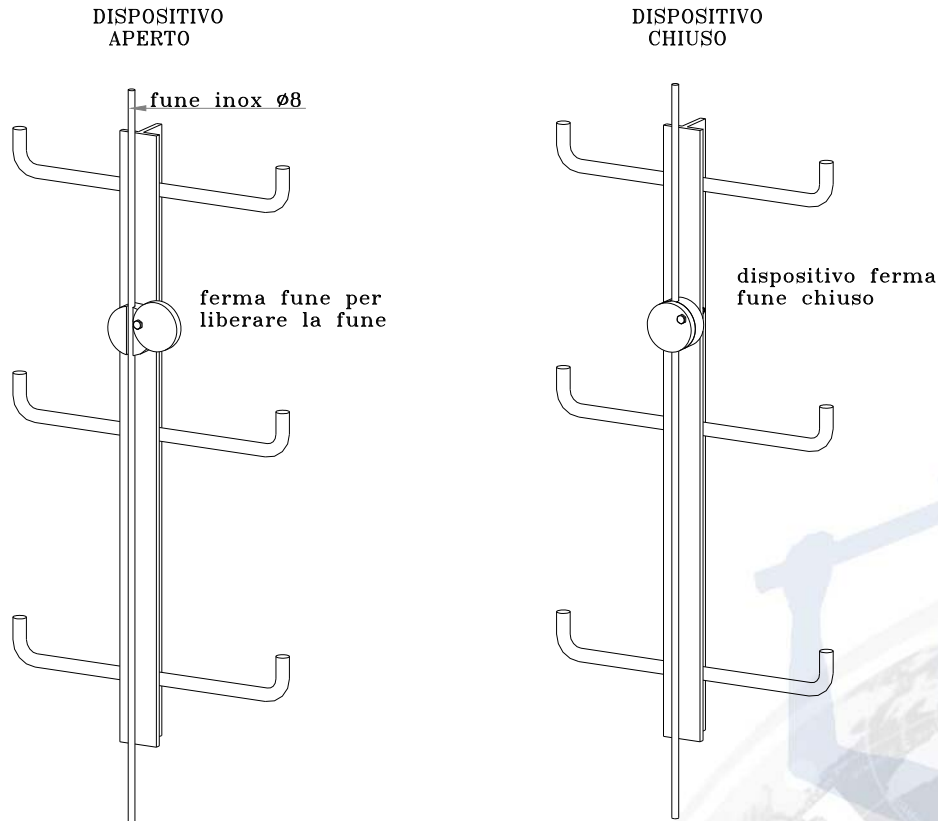
# PALI CAMPION srl

Via A. De Gasperi, 45 • 45025 Fratta Polesine (RO) • Italy  
tel + 39 0425 668686 • fax +39 0425 668688  
www.palicampion.it • mail@palicampion.it • pec@pec.palicampion.it



[www.palicampion.it](http://www.palicampion.it) – use, assembling and maintenance instructions for climbing ladder . rev130616 – Pag. 8 di 9

Pass the cable through the locking cable devices:



During the climbing and descent, in order to pass the safety device, the operator has to make the cable free from the locking device, pass the safety device and then put the lock again and closed it.

**WARNING !** The safety devices employed in the climbing ladder with “T” rail and “safety cable” are personal protection equipment (DPI) having a life time beyond that they must be substitute. The life time of the safety device is mentioned in the maintenance and use instructions manual give with the safety device itself. Furthermore, before using the safety device you must read carefully the use instruction because it contains indications for the proper use of the device, such as maximum carriage load (weight of the operator and devices), type of checking to be done before using it, and how to install and use it.

Safety devices must be used with suitable harness.





# PALI CAMPION srl

Via A. De Gasperi, 45 • 45025 Fratta Polesine (RO) • Italy  
tel + 39 0425 668686 • fax +39 0425 668688  
www.palicampion.it • mail@palicampion.it • pec@pec.palicampion.it



[www.palicampion.it](http://www.palicampion.it) – use, assembling and maintenance instructions for climbing ladder . rev130616 – Pag. 9 di 9

## MAINTENANCE

For the maintenance of the safety devices (sliding on T rail and sliding on safety cable) we make reference to what is mentioned in the manual given with the safety devices.

The maintenance activities on the ladders consist of:

- Verification of the straightness of the ladder sections
- Verification of the locking of the bolts and nuts
- Verification of the zinc coating and rusted point , if any,
- Verification of the stretching of the safety cable , (if applicable)
- Verification of the closing device of the safety cable (if applicable)
- Presence of dirty, grease on the ladder (rung or central body) or on the safety cable must be removed since they can cause the operator sliding or they can make the device no working properly